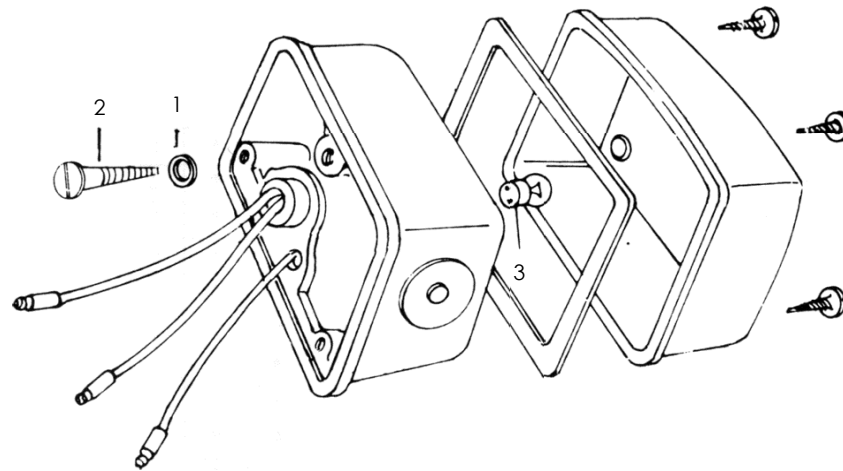


13 - 50 TAIL LAMP

| |
|---------|
| A3 |
| Key Nos |
| ALL |



13 - 50 TAIL LAMP

| Key No | Part Numbers | | Description | Qty | Models | | | | | | | | | Remarks | price | |
|--------|--------------------|-----|------------------------------|-----|--------------------|-----|--------------------|-----|--------------------|-----|---------|---------|------------|---------|------------------------|-------|
| | | | | | 350cc | | | | 500cc | | | | | | | |
| | K.Start 4 Speed | | | | E.Start 4 Speed | | K.Start 4 Speed | | E.Start 4 Speed | | 5 Speed | | Sixty 5 | | | |
| | R/G | L/G | | | R/G | L/G | R/G | L/G | R/G | L/G | K.start | E.start | E.start | | | |
| New | Old | | | | | | | | | | | | | | | |
| A1 | 143376 | | Tail Lamp | 1 | | | | | | | | | | | For Eur. only | 6,660 |
| | 144370 | | Tail Lamp Assembly with Bulb | 1 | | | | | | | | | | | From 9B 550177 E | |
| | 143605 | | Tail Lamp Assembly (SAE) | 1 | | | | | | | | | | | For USA, Canada only | |
| | 141757 | | Tail Lamp Assembly with Bulb | 1 | | | | | | | | | | | For Reg. only | |
| | 144357 | | Tail Lamp Assembly with Bulb | 1 | | | | | | | | | | | For Over Racing models | |
| 1 | 141801 | | Washer - Tail Lamp Mounting | 3 | | | | | | | | | | | For Reg. only | 50 |
| 2 | 141800 | | Bolt - Tail Lamp Mounting | 3 | | | | | | | | | | | For Reg. only | 140 |
| 3 | 141759 | | Bulb - Tail Lamp 12V 18/5V | 1 | | | | | | | | | | | | 250 |
| | | | | | | | | | | | | | | | | |
| | | | | | | | | | | | | | | | | |
| | | | | | | | | | | | | | | | | |
| | | | | | | | | | | | | | | | | |
| | | | | | | | | | | | | | | | | |
| | | | | | | | | | | | | | | | | |
| | | | | | | | | | | | | | | | | |
| | | | | | | | | | | | | | | | | |
| | | | | | | | | | | | | | | | | |
| | | | | | | | | | | | | | | | | |
| | | | | | | | | | | | | | | | | |
| | | | | | | | | | | | | | | | | |
| | | | | | | | | | | | | | | | | |
| | | | | | | | | | | | | | | | | |
| | | | | | | | | | | | | | | | | |
| | | | | | | | | | | | | | | | | |
| | | | | | | | | | | | | | | | | |
| | | | | | | | | | | | | | | | | |
| | | | | | | | | | | | | | | | | |
| | | | | | | | | | | | | | | | | |
| | | | | | | | | | | | | | | | | |
| | | | | | | | | | | | | | | | | |
| | | | | | | | | | | | | | | | | |
| | | | | | | | | | | | | | | | | |
| | | | | | | | | | | | | | | | | |
| | | | | | | | | | | | | | | | | |
| | | | | | | | | | | | | | | | | |
| | | | | | | | | | | | | | | | | |
| | | | | | | | | | | | | | | | | |
| | | | | | | | | | | | | | | | | |