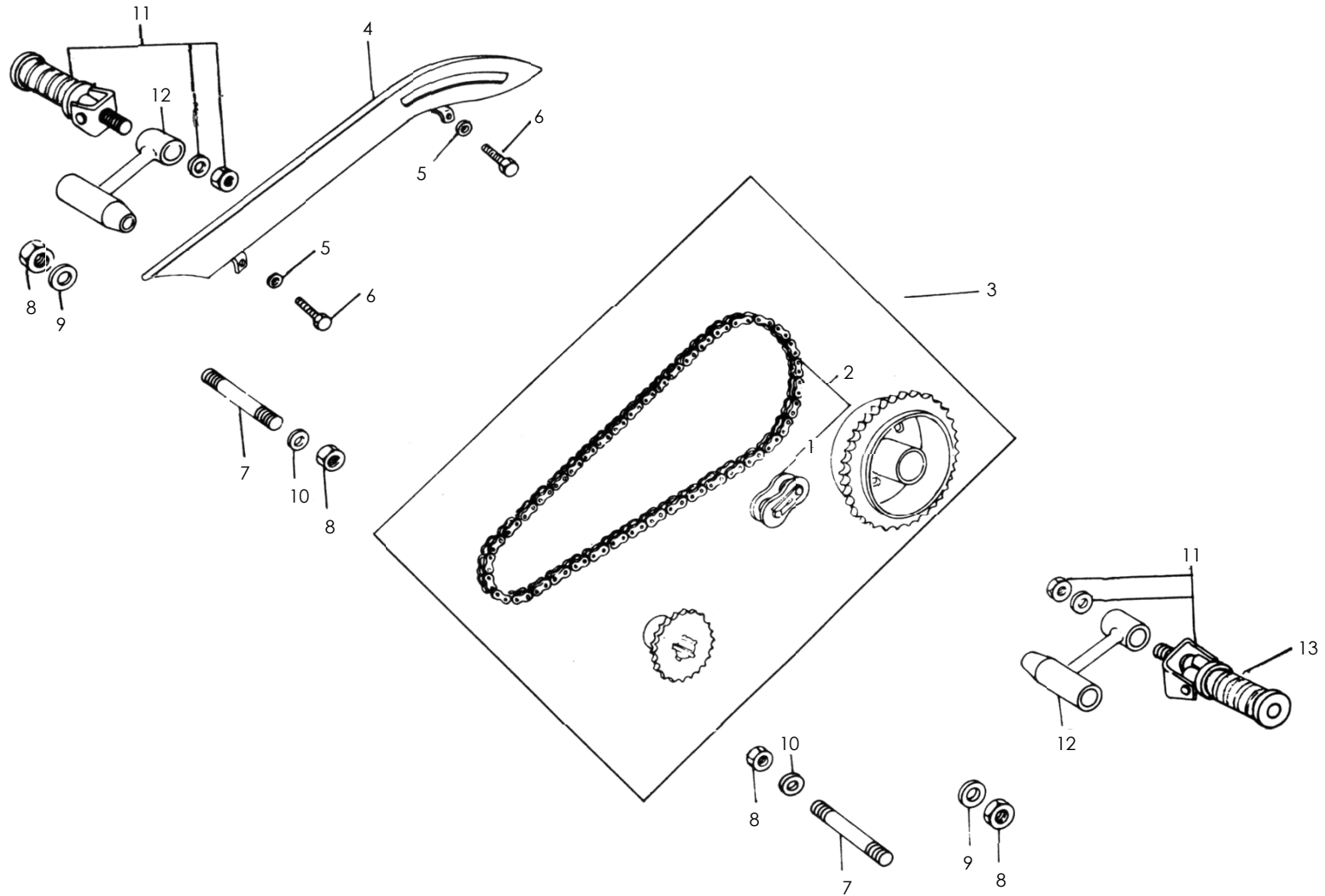


09 - 20 REAR CHAIN AND FOOTRESTS



09 - 20 REAR CHAIN AND FOOT RESTS

Key No	Part Numbers		Description	Qty	Models									Remarks	price	
					350cc				500cc							
	K.Start 4 Speed				E.Start 4 Speed		K.Start 4 Speed		E.Start 4 Speed		5 Speed		Sixty 5			
	R/G	L/G			R/G	L/G	R/G	L/G	R/G	L/G	K.start	E.start	E.start			
New	Old															
1	110333		Connecting Link - Rear Chain	1												880
2	145556/A	112011	Chain Rear - Drive Chain	1											From 2B 605348 E	9,130
	112212		Chain Rear - Draive Chain	1												12,260
3	112146		Chain and Sprocket Kit	1												
4	111712/C	111712	Chain Guard - Plated	1												7,180
	801029	111713	Chainguard Black	1												6,460
	825018		Chainguard Olive Green	1												6,460
5	140147		Washer 5/16 Shake Proof	2												90
6	111715		Hex. Screw, M8X10M Fixing Bolt	2											Till 3B5 13709 C	180
	145872/A		Flanged Hex Bolt M8 x10	2											From 3BF55 0225 C, 3B5 13710 C	300
7	110360		Stud. 7/16"CEI X 3-1/8" - Foot Rest	2												540
8	110365		Hex. Nut, 7/16" CEI - stand Nut	4												300
9	110366		Plain Washer	2												230
10	140305		Lock Washer Internal Teeth	2												140
11	145160/A	142502	Pillion Foot Rest Assembly	2											From 2B61 1882 K	2,200
12	801062	142499	Foot Rest Support Black	2												3,310
13	145159/A		Rubber Foot Rest Rear Foldable	1											From 1B 581638 A	870