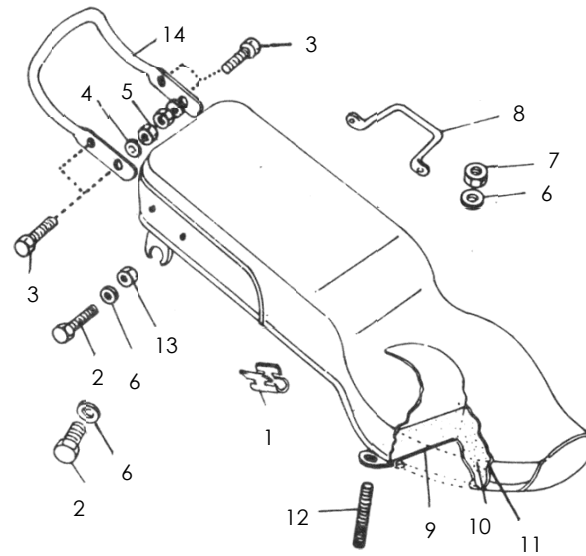


06 - 20 SEAT ASSEMBLY

A1

Key Nos
1, 9, 10, 11



06 - 20 SEAT ASSEMBLY

Key No	Part Numbers		Description	Qty	Models										Remarks	price	
					350cc				500cc								
	K.Start 4 Speed				E.Start 4 Speed		K.Start 4 Speed		E.Start 4 Speed		5 Speed		Sixty 5				
	R/G	L/G			R/G	L/G	R/G	L/G	R/G	L/G	K.start	E.start	E.start				
New	Old																
A1	142504/2	142775	Dual Seat Assembly	1													27,300
1	141444		Clip - Dual Seat	24													
2	142761		Bolt	2												Till 3B5 13709 C	180
	145862/A		Flanged Hex Bolt M8 X 20	2												From 3B5 13710 C	330
3	142274		Bolt	2												Till 3B5 13709 C	180
	145861/A		Flanged Hex Bolt M6 X 20	2												From 3B5 13710 C	220
4	141061		Plain Washer	4												From 2E51673 M	50
5	141060		Nut, Pillion Holding	4												From 2BS512943G	140
	141306		Hex Nut with Nylon Insert	4												From 3B5 13710 C	230
6	140437		Plain Washer - Dual Seat Stud	4												Till 3B5 13709 C	50
	140080/2		Plain Washer	2												From 3B5 13710 C	
7	140079		Hex. Nut, 5/16" Cei - Stud Nut	2												Till 2BS512942G	270
8	111686		Side Handle(PowderCoated)	1													1,650
9	801055	142504	Dual Seat Pan	1													
10	142509		Dual Seat Cushion	1													
11	142516	142776	Dual Seat Cover	1													
12	140436		Stud, 5/16" Cei X 1.215" Stud Seat	2													410
13	141051		Nut M8	2												Till 2BS512943G From 3B5 13710 C, 3B5	270
	142182		Hex Nut with Nylon Insert	2												13710 C	320
14	142596		Pillion Holding Tube	1												Till 9B 58861 F	2,810
	141654		Pillion Holding Tube	1												Till 9B 58861 F	3,380