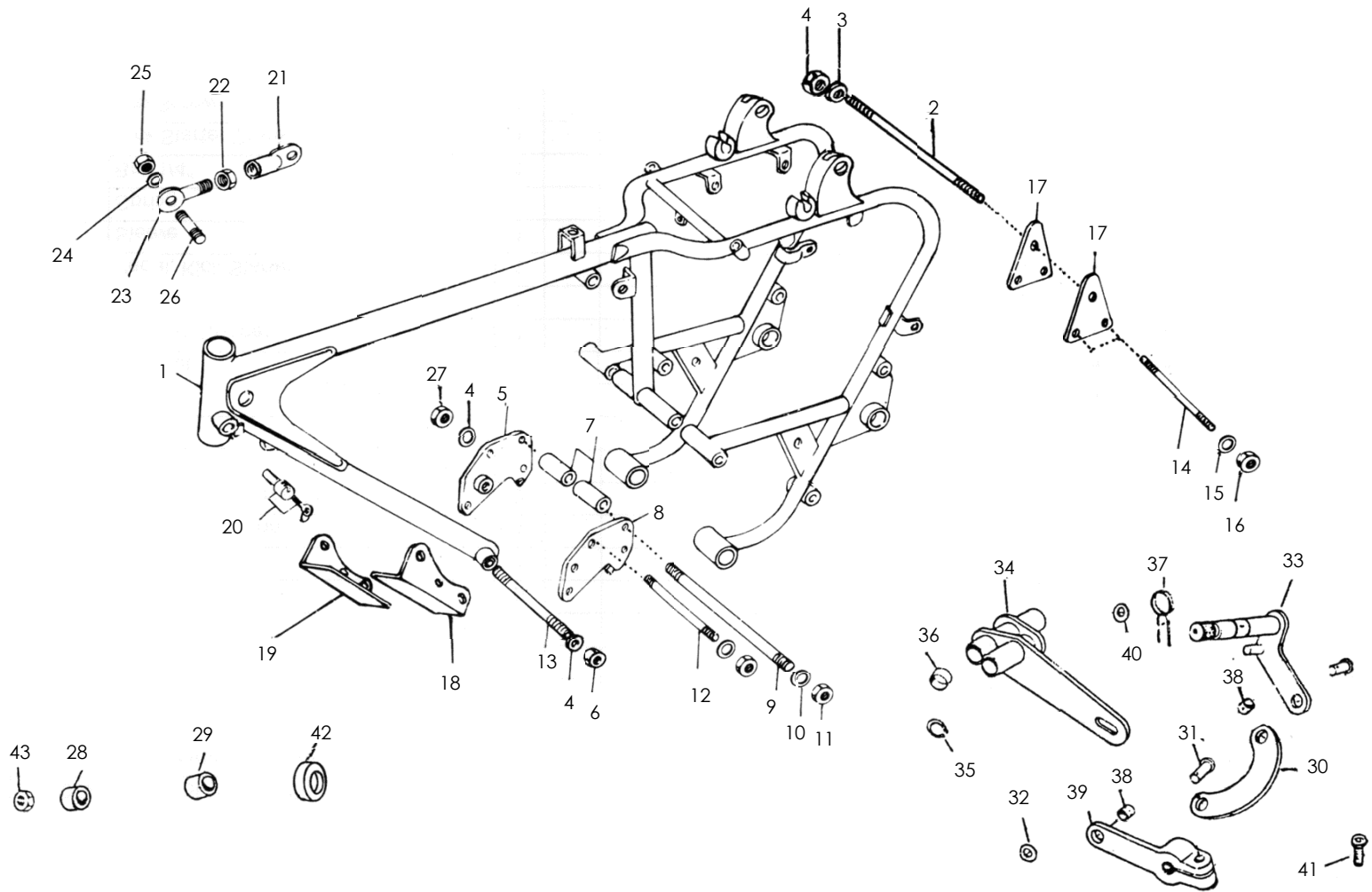


06 - 10 FRAME ASSEMBLY



06 - 10 FRAME ASSEMBLY

Key No	Part Numbers		Description	Qty	Models										Remarks	price
					350cc				500cc							
	K.Start 4 Speed				E.Start 4 Speed		K.Start 4 Speed		E.Start 4 Speed		5 Speed		Sixty 5			
	R/G	L/G			R/G	L/G	R/G	L/G	R/G	L/G	K.start	E.start	E.start			
New	Old															
1	801122		Frame Assembly Black	1												
	801168	113012	Frame Assembly Black	1												
	825017		Frame Assembly O.Green	1												
	801255		Frame Assembly Black	1												
2	140762	142242	Stud - Gear Box Plate Top	1											Till 3B5 13709 C From 3B5 137025 C, 3B5	1,070
	145858/A		Hex Bolt 1/2" BSF x 257.5	1											13710 C	3,190
3	140306		Washer	6												
	145708/A	141098	Washer	1											From 3B5 13710 C	150
4	142232		Nut Front Engine Plate stud	4												
5	801021		Engine Plate RH, Rr Black	1												
	801056		Enging Plate RH, Rr, Black	1												
6	142232	110220	Nut Engine Plate stud	2											From 3B5 13710 C	480
7	801019	110200	Centre stand Spacer Black	2												
8	801057	111999	Engine Plate LH, Rr Black	1												
	801107	113014	Rr Engine Plate NS/OS	1												
9	110210		Rr Eng.Spacer Stud	1											Till 3B5 13709 C	1,110
	145878/A		Flanged Hex Bolt M8 x 120	1											From 3B5 13710 C	1,400
	113016		Stud (Rear Engine Plate Stud)	1												
10	140080	140293	Washer, Plain	2												
11	140302		Hex.Nut, 3/8"Cei	2											Till 3B5 13709 C	320
	142182		Nylock Nut	1											From 3B5 13710 C	320
12	110215		Stud, 1/2" Cei X 5-3/16" Eng.Plate	1											Till 3B5 13709 C	880
	145857/A		Flanged Hex Bolt 1/2"BSF x130	1											From 3B5 13710 C	2,230
	113067		Stud, 1/2" Cei X 5-3/16" Eng.Plate	1												
13	142240		Stud - Front Engine Plate	1											Till 3B5 13709 C	1,260
	145856/A		Flanged Hex Bolt 1/2"BSF x120	1											From 3B5 13710 C	2,140
14	141057		Stud, M8X 118 - G.Box Top	2											Till 3B5 13709 C	480

06 - 10 FRAME ASSEMBLY

Key No	Part Numbers		Description	Qty	Models										Remarks	price
					350cc				500cc							
	K.Start 4 Speed				E.Start 4 Speed		K.Start 4 Speed		E.Start 4 Speed		5 Speed		Sixty 5			
	R/G	L/G			R/G	L/G	R/G	L/G	R/G	L/G	K.start	E.start	E.start			
New	Old															
14	145878/A		Hex Head Bolt M8X 120-G Box Top	2											From 3B5 13710 C	1,400
15	140147		Washer 5/16 Shake Proof	4												90
16	141051		M8 Nut	4											Till 2B5512943G From 3B5 13710 C, 3B5	270
	145867/A		Flanged Hex Nut M8 x 1.25	2											13710 C	250
17	801020	140761	Plate Black - Gear Box Plate	2												1,060
18	801026	110234	Engine Plate LH, Ft Black	1												3,060
19	801025	110228	Engine Plate RH, Ft Black	1												3,060
20	144751		Steering Lock Assembly 640.02-00.28	1												3,990
21	140441		Eye Bolt Sleeve Engine	1												1,060
22	140300		Hex.Nut, 3/8"	1												230
23	140435		Eye Bolt	1												1,470
24	140080	144600	Stud Washer	2												90
25	141051		M8 Nut	2											Till 2B5512943G From 3B5 13710 C, 3B5	270
	142182		Nylock Nut	1											13710 C	320
26	141058		Stud M8 X 65 steady Attachment stud	1											Till 3B5 13708 C From 3B5 13710 C, 3B5	360
	145863/A		Flanged Hex Bolt M8 x 70	1											13710 C	660
27	110220		Hex. Nut, 1/2"Cei	2											Till 3B55 0224 G, 3B5-13708 C From 3B5 13710 C, 3B5	750
	120332		Nut 1/2"	1											13710 C	300
	143416		Hex.Nut, 1/2"Cei	2												230
28	113022		Rr.Br.Spindle Bush(Thin) - LH	1												2,000
29	113023		Rr.Br.Spindle Bush(Thick) - RH	1												2,000
30	113112		Middle Link	1												1,100
31	113052		Pivot Pin	2												990
32	111908		Washer	2												90
33	113053		Gear Pedal Link Assembly Plated	1												4,100
34	801110	113057	Pivot Spindle Boss Assembly	1												3,060
35	113063		Circlip	1												360

