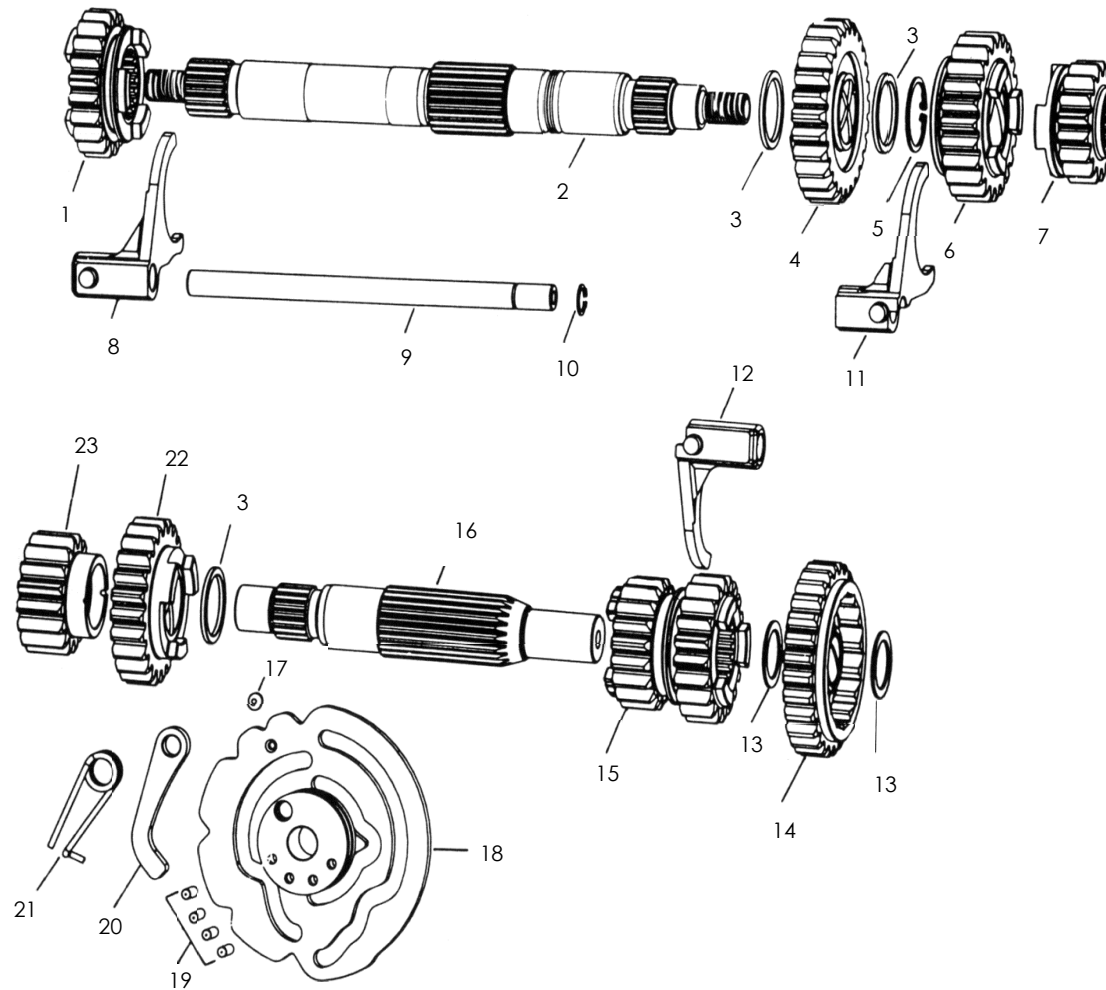


05 - 50 GEARS & SELECTOR FORKS - 5 SPEED



05 - 50 GEARS AND SELECTOR FORKS - 5 SPEED

Key No	Part Numbers		Description	Qty	Models										Remarks	price		
					350cc				500cc									
	K.Start 4 Speed				E.Start 4 Speed		K.Start 4 Speed		E.Start 4 Speed		5 Speed		Sixty 5					
	R/G	L/G			R/G	L/G	R/G	L/G	R/G	L/G	K.start	E.start	E.start					
1	550008/B		2nd Gear, Main shaft	1										•	•	•		10,640
2	550004/B		Main shaft	1										•	•	•		
3	550023		Washer, Thrust	3										•	•	•		720
4	550010/B		4th Gear, Main shaft	1										•	•			10,480
5	550024		Circlip	1										•	•	•		230
6	550012/B		3rd Gear, Main Shaft	1										•	•	•		10,960
7	550013/C		1st Gear, Main Shaft	1										•	•	•		8,440
8	550091/B		Selector Fork	1										•	•	•		
9	550078		Shaft, Selector fork	1										•	•	•		1,160
10	550141		Circlip	1										•	•	•		
11	550081		Selector Fork	1										•	•	•		11,100
12	550090		Selector Fork	1										•	•	•		11,100
13	550030		Washer, Thrust	2										•	•	•		300
14	550040/A		1st Gear Assembly, Lay Shaft	1										•	•	•		13,560
15	550011/C		3rd / 4th Gear, Lay shaft	1										•	•	•		17,780
16	550005/B		Lay shaft	1										•	•	•		22,430
17	550119		Pin	1										•	•	•		170
18	550117		Cam Plate Assembly	1										•	•	•		7,250
19	550075		Roller	4										•	•	•		130
20	550082/B		Pawl, Camplate	1										•	•	•		1,680
21	550083		Spring	1										•	•	•		280
22	550009/B		2nd Gear, Lay shaft	1										•	•	•		9,700
23	550007/C		High Gear, Lay Shaft	1										•	•	•		8,040