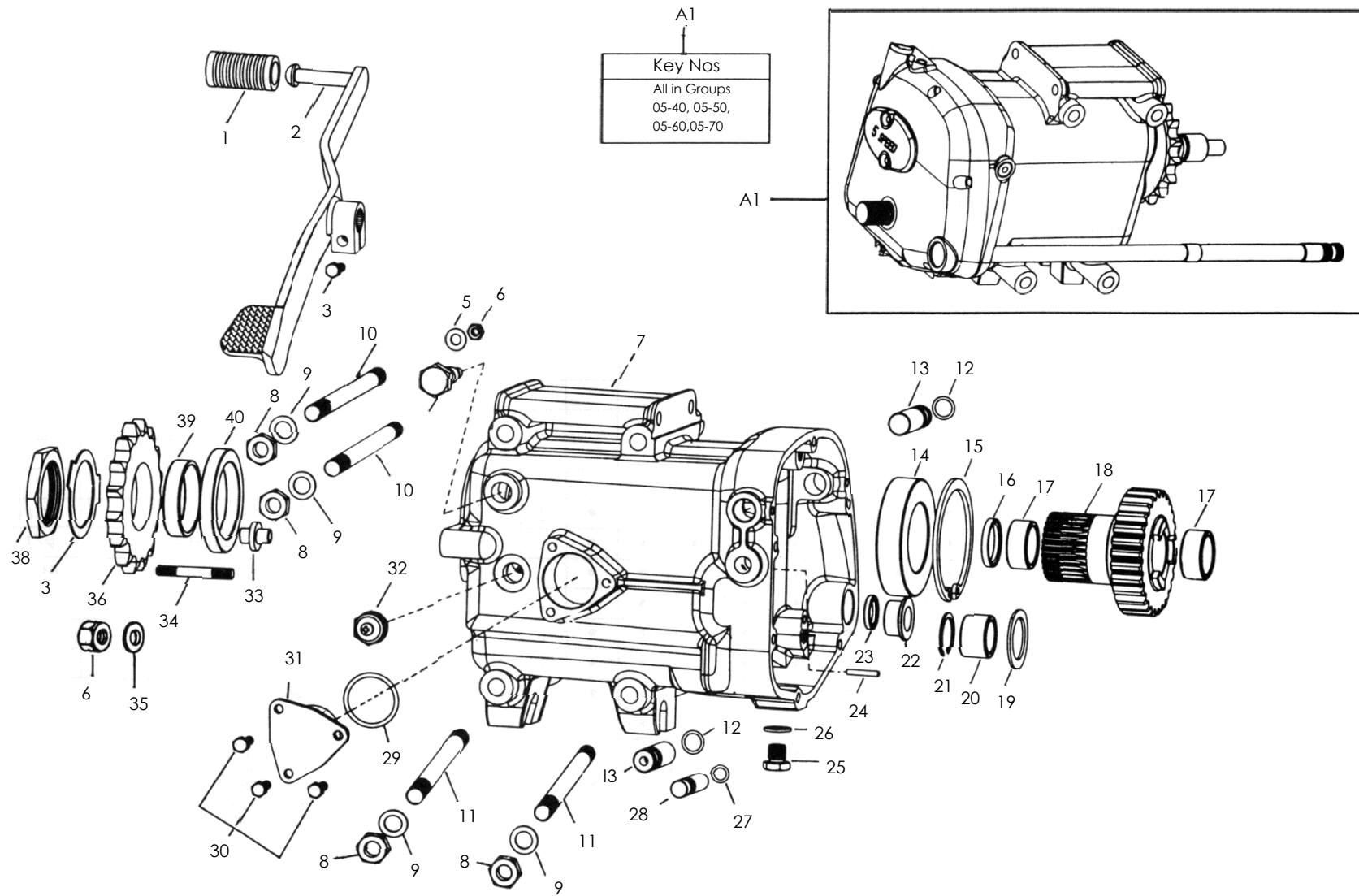


05 - 40 GEAR BOX CASING - 5 SPEED



05 - 40 GEAR BOX CASING - 5 SPEED

| Key No | Part Numbers | | Description | Qty | Models | | | | | | | | | | Remarks | price | | |
|--------|--------------------|--------|--------------------|-----|--------------------|-----|--------------------|-----|--------------------|-----|---------|---------|------------|--|---------|-------|--|---------|
| | | | | | 350cc | | | | 500cc | | | | | | | | | |
| | K.Start 4 Speed | | | | E.Start 4 Speed | | K.Start 4 Speed | | E.Start 4 Speed | | 5 Speed | | Sixty 5 | | | | | |
| | R/G | L/G | | | R/G | L/G | R/G | L/G | R/G | L/G | K.start | E.start | E.start | | | | | |
| New | Old | | | | | | | | | | | | | | | | | |
| A1 | 550200F | 550200 | Gear Box Assembly | 1 | | | | | | | | | | | | | | 180,000 |
| 1 | 550180 | | Sleeve, Heel & Toe | 1 | | | | | | | | | | | | | | 360 |
| 2 | 521136/A | 550177 | Lever,Heel&Toe | 1 | | | | | | | | | | | | | | |
| 3 | 550104 | | Hex Screw M6 | 1 | | | | | | | | | | | | | | 260 |
| 4 | 550085 | | Bolt, Pawl | 1 | | | | | | | | | | | | | | 1,070 |
| 5 | 550087 | | Washer, Plain | 2 | | | | | | | | | | | | | | 80 |
| 6 | 550086 | | Nut, Nylock | 2 | | | | | | | | | | | | | | 330 |
| 7 | 813023 | | Gear box casing | 1 | | | | | | | | | | | | | | 34,500 |
| 8 | 140302 | | Hex Nut | 4 | | | | | | | | | | | | | | 320 |
| 9 | 140293 | | Washer, Plain | 4 | | | | | | | | | | | | | | 50 |
| 10 | 110202 | | stud | 2 | | | | | | | | | | | | | | 570 |
| 11 | 550111 | | stud | 2 | | | | | | | | | | | | | | 860 |
| 12 | 550108 | | ' ' 'ring | 2 | | | | | | | | | | | | | | 170 |
| 13 | 550069 | | Pin, Pivot | 2 | | | | | | | | | | | | | | 500 |
| 14 | 550133 | | Bearing 6008 C3 | 1 | | | | | | | | | | | | | | 3,760 |
| 15 | 550135 | | Circlip | 1 | | | | | | | | | | | | | | 830 |
| 16 | 550018 | | Oil seal | 1 | | | | | | | | | | | | | | 2,740 |
| 17 | 550017 | | Needle bearing | 2 | | | | | | | | | | | | | | 1,520 |
| 18 | 550125/C | | Sleeve Gear | 1 | | | | | | | | | | | | | | 17,950 |
| 19 | 550029 | | Washer, Thrust | 1 | | | | | | | | | | | | | | 470 |
| 20 | 550027 | | Needle bearing | 1 | | | | | | | | | | | | | | 5,660 |
| 21 | 550028 | | Circlip | 1 | | | | | | | | | | | | | | 240 |
| 22 | 550061/A | | Bush | 1 | | | | | | | | | | | | | | |
| 23 | 550102 | | Oil seal | 1 | | | | | | | | | | | | | | 6,640 |
| 24 | 550185 | | Cylindrical Pin | 1 | | | | | | | | | | | | | | 140 |
| 25 | 550089 | | Drain plug | 1 | | | | | | | | | | | | | | 290 |
| 26 | 550191 | | Washer, Copper | 1 | | | | | | | | | | | | | | 260 |

