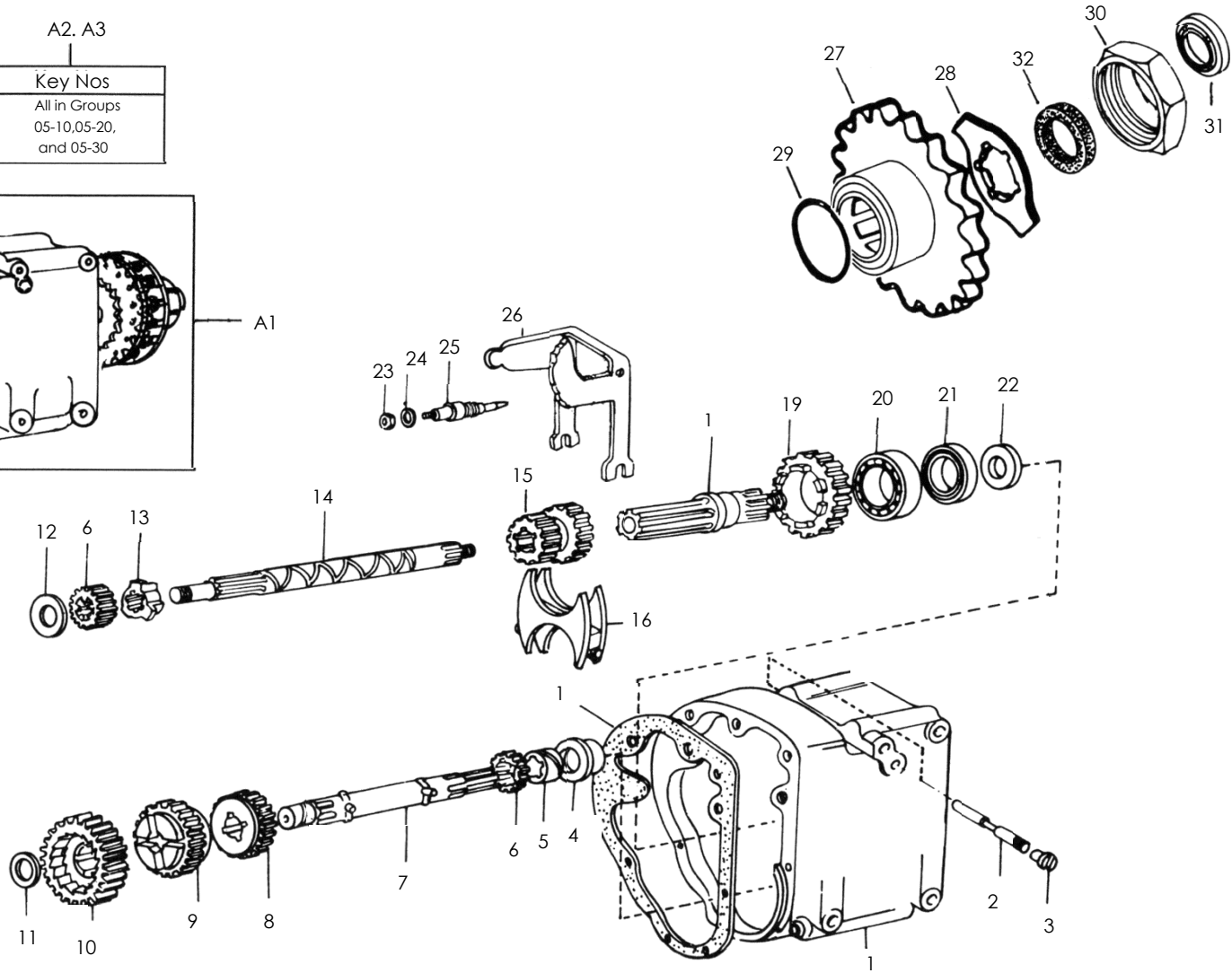
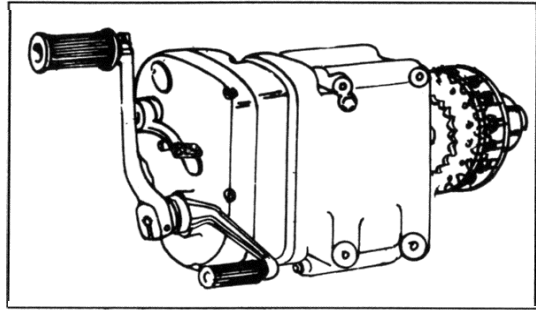


# 05 - 10 GEAR CASE AND GEARS

A1
Key Nos
All in Groups 05-10,05-20, 05-30 and 03-40

A2, A3
Key Nos
All in Groups 05-10,05-20, and 05-30



## 05 - 10 GEAR CASE AND GEARS

Key No	Part Numbers		Description	Qty	Models										Remarks	price
					350cc				500cc							
	K.Start 4 Speed				E.Start 4 Speed		K.Start 4 Speed		E.Start 4 Speed		5 Speed		Sixty 5			
	R/G	L/G			R/G	L/G	R/G	L/G	R/G	L/G	K.start	E.start	E.start			
	New	Old														
A1	112285		Gear Box With Clutch & 16T Sprocket	1												153,000
	113105		Gear Box With Clutch & 17T Sprocket	1												189,000
A2	144508E		Gear Box With 16T Sprocket	1												144,000
	144702		Gear Box With 17T Sprocket	1												177,000
	113107		Gear Box With 16T Sprocket	1												156,000
	113108		Gear Box With 17T Sprocket	1												168,000
A3	170514E		G.Box With 16T Spkt.with Neu.Ind.	1												177,020
	170514		G.Box With 17T Spkt.with Neu.Ind.	1												177,000
1	111050		Gear Box Case	1												32,830
	113087		Gear Box Case	1												25,790
2	111084		Gear Operator Pin	1												480
3	111085		Bush - Gear operator Pin	1												340
4	111051		Layshaft bush - Case End	1												1,170
5	111074		Bush - Splined - Lay Shaft	1												2,810
6	111075		Main Shaft Gear Pinion 15 T	2												3,860
7	111073		Layshaft	1												21,300
8	111076		Layshaft II Gear Pinion 19 T	1												11,020
9	111077		Layshaft III Gear Pinion 22 T	1												11,020
10	111078		Layshaft Ratchet Pinion 25 T	1												7,620
11	140334		Distance Washer	1												400
12	111167		Oil Thrower Inner	1												970
13	111760		Top Gear Dog	1												2,810
14	111165		Main Shaft	1												12,800
15	111069		Sliding Gear 18T/21T	1												17,900
16	111079		Gear Operator Fork	1												4,080
	170178		Gear Operator Fork	1												3,350
17	144627		Gasket	1											From 8B 536480	1,120

## 05 - 10 GEAR CASE AND GEARS

Key No	Part Numbers		Description	Qty	Models										Remarks	price	
					350cc				500cc								
	K.Start 4 Speed				E.Start 4 Speed		K.Start 4 Speed		E.Start 4 Speed		5 Speed		Sixty 5				
	R/G	L/G			R/G	L/G	R/G	L/G	R/G	L/G	K.start	E.start	E.start				
New	Old																
18	145335/B	140335	Main Shaft Sleeve	1												From 2B511912A	
	140335/B		Main Shaft Sleeve	1													14,870
19	111070		Main Shaft Low Gear Pinion 25 T	1													10,080
20	140753		Bearing 6206, Main Shaft	1													2,680
21	110262		Oil Seal	1													1,170
22	140327/D	140237	Distance Piece , Drive Sprocket	1												From 1 B511526K	1,110
23	140191		Nut 5/16 (Inches)	1													140
24	111098		Washer	1													230
25	111094		Gear Operator Selector Assembly	1													1,420
26	111083		Gear Operator, Inside	1													2,820
27	110267		Final Drive Sprocket - 16 T	1												Till 1 B 590609H	5,280
	145339/A		Final Drive Sprocket - 16 T	1												From 1B 590610H	5,280
	111189		Final Drive Sprocket - 17 T	1												Till 2B5 11911 A	7,410
	145406/A		Final Drive Sprocket - 17 T	1												From 2B511912A	7,410
28	111161		Lock Washer	1													270
29	145357/A		' Ring	1												From 2B511912A	320
30	111160		Lock Nut - Final Drive Sprocket	1												Till 2B5 11911 A	1,240
	144524/A		Lock Nut- Final Drive Sprocket	1												From 2B511912A	1,240
31	145346/A		Oil Seal	1												From 2B511912A	1,170
32	111086		Felt Washer	1													320