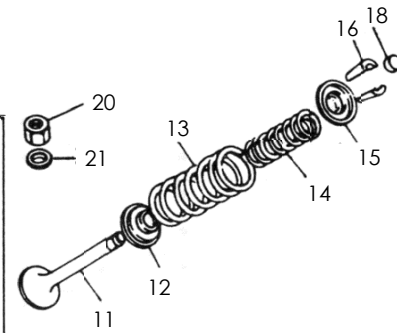
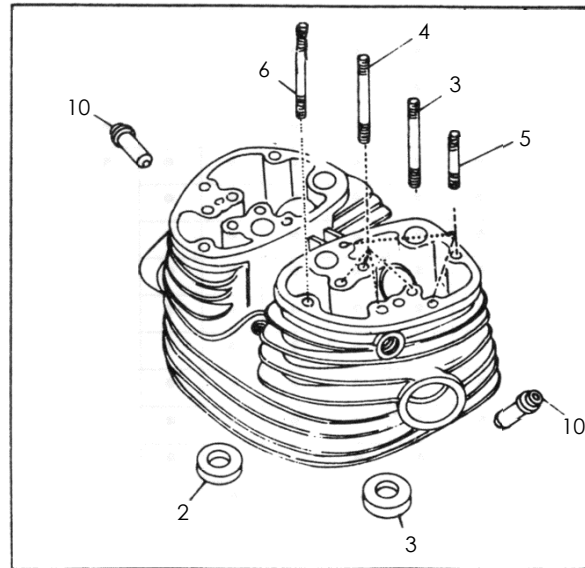
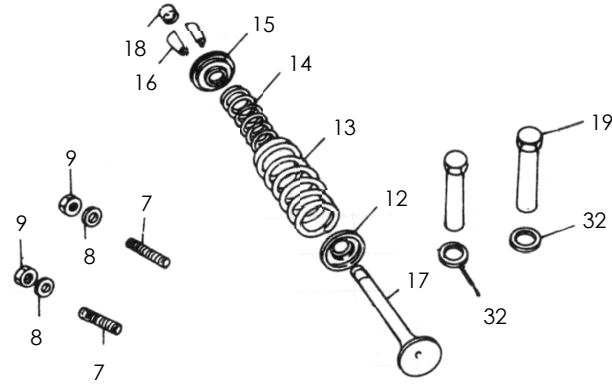
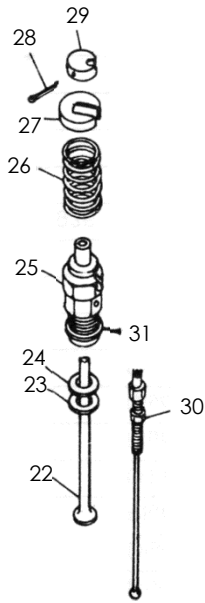


02 - 50 CYLINDER HEAD

Key Nos	Key Nos
A11	22 to 29



02 - 50 CYLINDER HEAD

Key No	Part Numbers		Description	Qty	Models										Remarks	price
					350cc				500cc							
	K.Start 4 Speed				E.Start 4 Speed		K.Start 4 Speed		E.Start 4 Speed		5 Speed		Sixty 5			
	R/G	L/G			R/G	L/G	R/G	L/G	R/G	L/G	K.start	E.start	E.start			
New	Old															
A1	144721		Cylinder Head Assembly	1												64,000
	144500E		Cylinder Head Assembly	1												68,800
	144564		Cylinder Head Assembly	1												68,800
A2	141207		Decompressor Assembly	1												4,620
1	144722		Cylinder head with fixed fittings	1												46,000
	144159E		Cylinder head with fixed fittings	1												48,000
	145057/3		Cylinder head with fixed fittings	1												48,000
2	144773		Valve seat Insert - Inlet	1												1,340
	144775		Valve seat Insert - Inlet	1												2,550
3	144774		Valve seat Insert- Exhaust	1												1,340
	144776		Valve seat Insert- Exhaust	1												1,860
4	140008		stud - Rocker bearing	4												410
5	140007		stud - short- Rocker box	6												360
6	140566		stud - long- Rocker box	2												410
7	143285		stud - Carburetor	2												410
8	144600		Washer	2											From 8B 536480 K	230
9	140079		Nut - Carburetor Stud	2											Till 2BS512942G	270
10	144836/C	140601	Valve Guide- STD	2												2,100
	144476	140925	Valve Guide 0.003"Oversize	2												4,100
	144477		Valve Guide 0.005"Oversize	2												4,100
11	144449		Valve Exhaust	1												6,330
	144498		Valve Exhaust	1												6,230
12	140001		Collar-Valve Spring Bottom	2												390
13	140004		Valve Spring Outer	2												1,350
	142202		Valve Spring Outer	2												1,420
14	140003		Valve Spring Inner	2												610
	142201		Valve Spring Inner	2												610

02 - 50 CYLINDER HEAD

Key No	Part Numbers		Description	Qty	Models										Remarks	price		
					350cc				500cc									
	K.Start 4 Speed				E.Start 4 Speed		K.Start 4 Speed		E.Start 4 Speed		5 Speed		Sixty 5					
	R/G	L/G			R/G	L/G	R/G	L/G	R/G	L/G	K.start	E.start	E.start					
New	Old																	
15	144443		Collar-Valve Spring Top	2														1,700
16	140005		Split Collar	4														270
17	144448		Valve Inlet	1														4,480
	144499		Valve Inlet	1														4,390
18	140006		Valve stem cap	2														840
19	110081		Nut, Cylinder head (Inches)	4													Till 2B 608462 F	840
	145106/A		Nut, Cylinder head (Metric)	4													From 2B 608463 F	790
	142203		Nut, Cylinder head (Inches)	4													Till 2BS512942G	680
	145107/A		Nut, Cylinder head (Metric)	4													From 2BS512943 G	890
20	140144		Nut, Cylinder head stud (Inches)	2													Till 2B 608462 F	270
	145112/A		Nut, Cylinder head stud (Metric)	2													TILL 3BFS5 0224 C, 3B5 13709C	330
	145867/A		Flanged Hex Nut M8×1.25 (Metric)	2													From 3B5 13710 C, 3BFS5 0225C	250
21	144600		Washer	2													From 8B 536480 K	230
22	140099		Decompressor valve	1														1,280
23	140097		Washer	1														360
24	140098		Washer	1														360
25	140867		Decompressor body	1														2,090
26	140100		Spring, Decompressor valve	1														230
27	140101		Spring Cap	1														180
28	110320		Split pin	1														180
29	140103		Cable block - Decompressor	1														390
30	143323		Cable complete, Decompressor	1													From 9B 58861 F	1,680
	170272		Cable complete, Decompressor	1														1,680
	560131/B		Cable complete, Decompressor	1														1,680
31	140936		Washer	1														90
32	140168		Washer	4														50
33	144440		stud, Ground	4														610