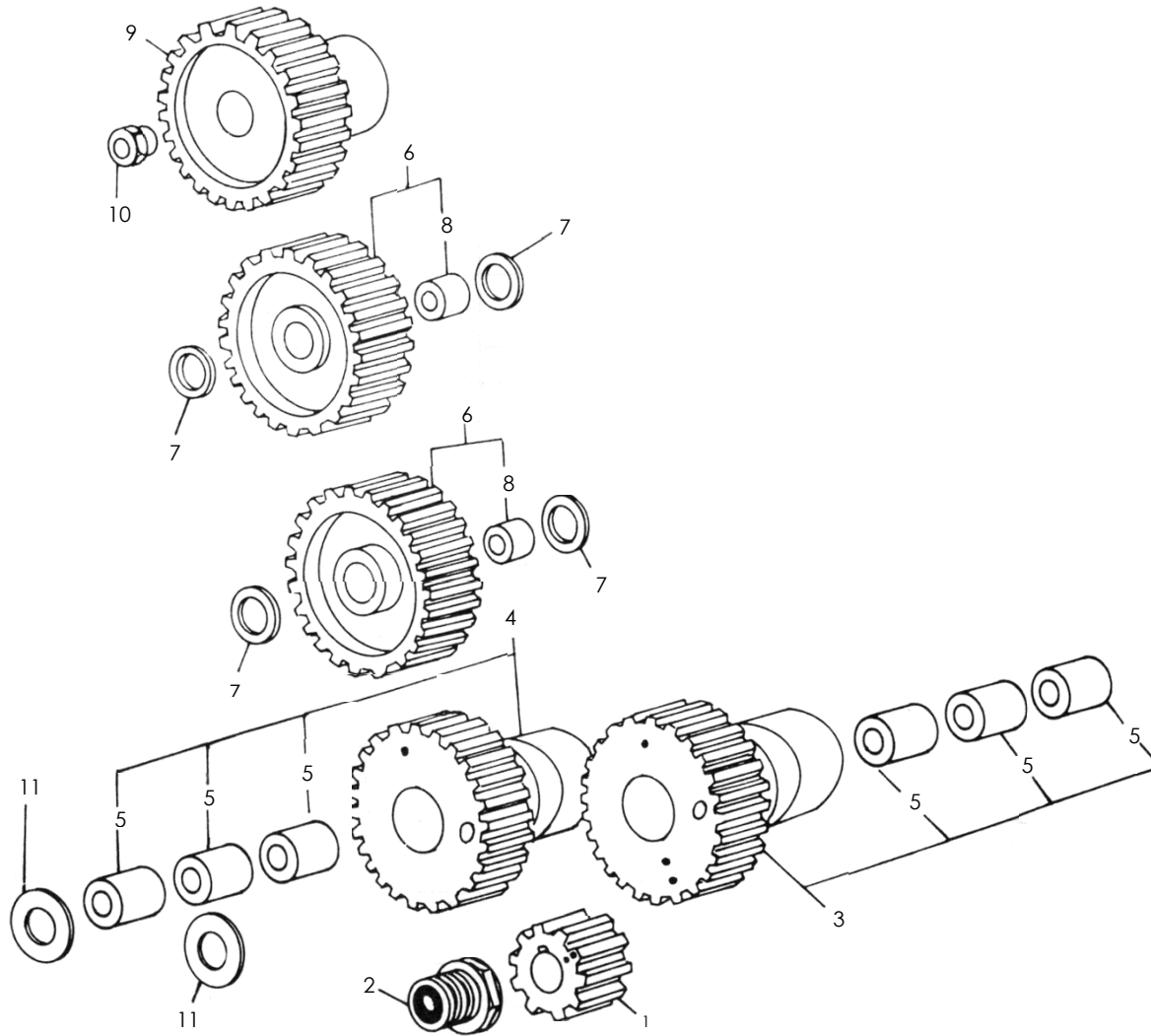


02 - 40 TIMING GEARS



02 - 40 TIMING GEARS

Key No	Part Numbers		Description	Qty	Models											Remarks	price	
					350cc				500cc									
	K.Start 4 Speed				E.Start 4 Speed		K.Start 4 Speed		E.Start 4 Speed		5 Speed		Sixty 5					
	R/G	L/G			R/G	L/G	R/G	L/G	R/G	L/G	K.start	E.start	E.start					
New	Old																	
1	141815		Timing pinion , STD(2dots)	1														3,350
	140115		Timing pinion , U/S(l dot)	1														3,620
	141816		Timing pinion , 0/S(3 dots)	1														3,850
2	144452		Worm nut	1														2,990
3	140114		Cam assembly, Exhaust	1														14,350
4	140113		Cam assembly, Inlet	1														14,350
5	140599		Bush, Short - cam wheel	6														360
6	140120		Idler pinion assembly	2														3,600
7	140121		Thrust washer, Idler pinion	4														410
8	140606		Bush, Idler pinion	2														230
9	140165		Pinion, Distributor	1														4,890
10	140166		Nut, Pinion	1														250
11	112078		Shim, Cam play	AR														230