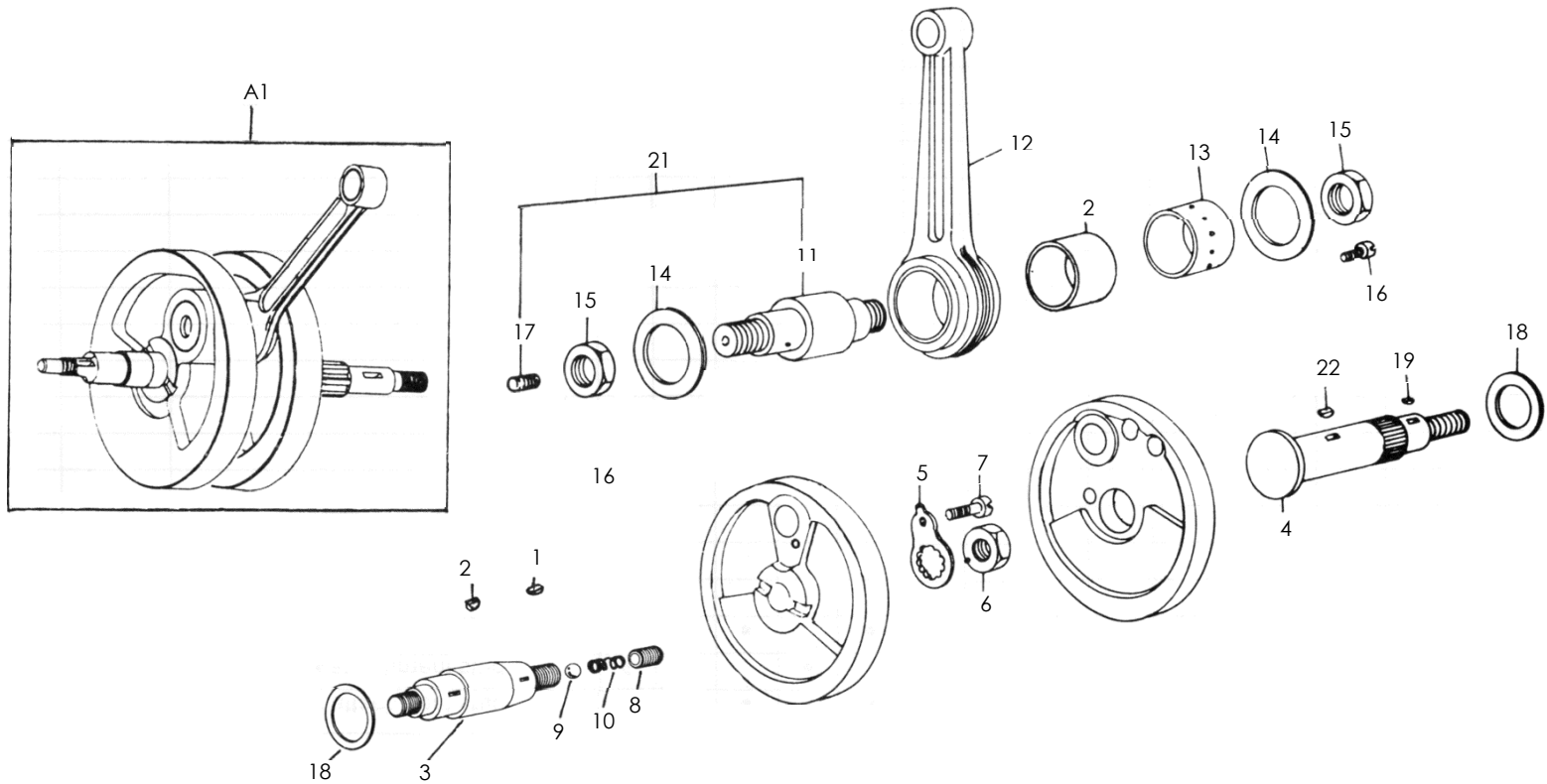


02 - 25 CRANK SHAFT

A1

| |
|------------|
| Key Nos |
| All Except |
| 18.19.20 |



02 - 25 CRANK SHAFT

| Key No | Part Numbers | | Description | Qty | Models | | | | | | | | | | Remarks | price |
|--------|--------------------|--------|-------------------------------|-----|--------------------|-----|--------------------|-----|--------------------|-----|---------|---------|------------|--|-----------------------------|--------|
| | | | | | 350cc | | | | 500cc | | | | | | | |
| | K.Start 4 Speed | | | | E.Start 4 Speed | | K.Start 4 Speed | | E.Start 4 Speed | | 5 Speed | | Sixty 5 | | | |
| | R/G | L/G | | | R/G | L/G | R/G | L/G | R/G | L/G | K.start | E.start | E.start | | | |
| New | Old | | | | | | | | | | | | | | | |
| A1 | 111867 | | Crank Shaft Assembly 350 cc | 1 | | | | | | | | | | | Till 9B5 9032 H | 87,590 |
| | 145353/B | | Crank Shaft Assembly 350 cc | 1 | | | | | | | | | | | From 2B609650G, 2B5 12971G | 88,230 |
| | 141548 | | Crank Shaft Assembly 500 cc | 1 | | | | | | | | | | | | 89,740 |
| | 144693/D | | Crank Shaft Assembly 500 cc | 1 | | | | | | | | | | | From 2B5 12971 G, 2B609650G | 89,740 |
| 1 | 140011 | | Key, Timing Shaft | 1 | | | | | | | | | | | | 270 |
| 2 | 140613 | | Bush, Big end | 1 | | | | | | | | | | | | 6,360 |
| 3 | 144696/3 | | Timing Shaft | 1 | | | | | | | | | | | From OB 578648 M | 8,120 |
| 4 | 111195 | 144561 | Drive Shaft | 1 | | | | | | | | | | | | 9,180 |
| 5 | 140016 | | Lock ring - Timing Shaft | 1 | | | | | | | | | | | | 230 |
| 6 | 140013 | | Nut, Timing Shaft | 1 | | | | | | | | | | | | 680 |
| 7 | 140014 | | Lock screw, Timing Shaft Nut | 1 | | | | | | | | | | | | 180 |
| 8 | 144288 | | Plug oil release | 1 | | | | | | | | | | | | 460 |
| 9 | 144144 | | Ball, Oil release | 1 | | | | | | | | | | | From 2B5 12971G, 2B609650G | 90 |
| 10 | 144143 | | Spring, Oil release | 1 | | | | | | | | | | | | 140 |
| 11 | 144434 | | Crank Pin, STD | 1 | | | | | | | | | | | | 7,880 |
| | 140921 | | Crank Pin, Oversize | 1 | | | | | | | | | | | | 8,280 |
| 12 | 144432 | | Connecting Rod Assembly | 1 | | | | | | | | | | | | 23,760 |
| | 144490 | | Connecting Rod Assembly | 1 | | | | | | | | | | | | 24,650 |
| 13 | 140020 | | Floating Bush, Connecting Rod | 1 | | | | | | | | | | | | 6,360 |
| 14 | 140023 | | Thrust Washer | 2 | | | | | | | | | | | | 1,420 |
| 15 | 140024 | | Nut, crank pin | 2 | | | | | | | | | | | | 540 |
| 16 | 140015 | | Lock screw, Crank pin | 2 | | | | | | | | | | | | 350 |
| 17 | 144850 | 140022 | Slotted set screw | 1 | | | | | | | | | | | From 9B 55017 7E | 220 |
| 18 | 140799 | | Washer, Thrust | 2 | | | | | | | | | | | | 410 |
| 19 | 140316 | | Key, Alternator | 1 | | | | | | | | | | | | 230 |
| 20 | 140118 | | Key, Timing Pinion | 1 | | | | | | | | | | | | 270 |
| 21 | 140791 | 144850 | Crank pin with Grub screw | 1 | | | | | | | | | | | | 9,240 |
| 22 | 140012 | | Key, Drive shaft | 1 | | | | | | | | | | | | 270 |