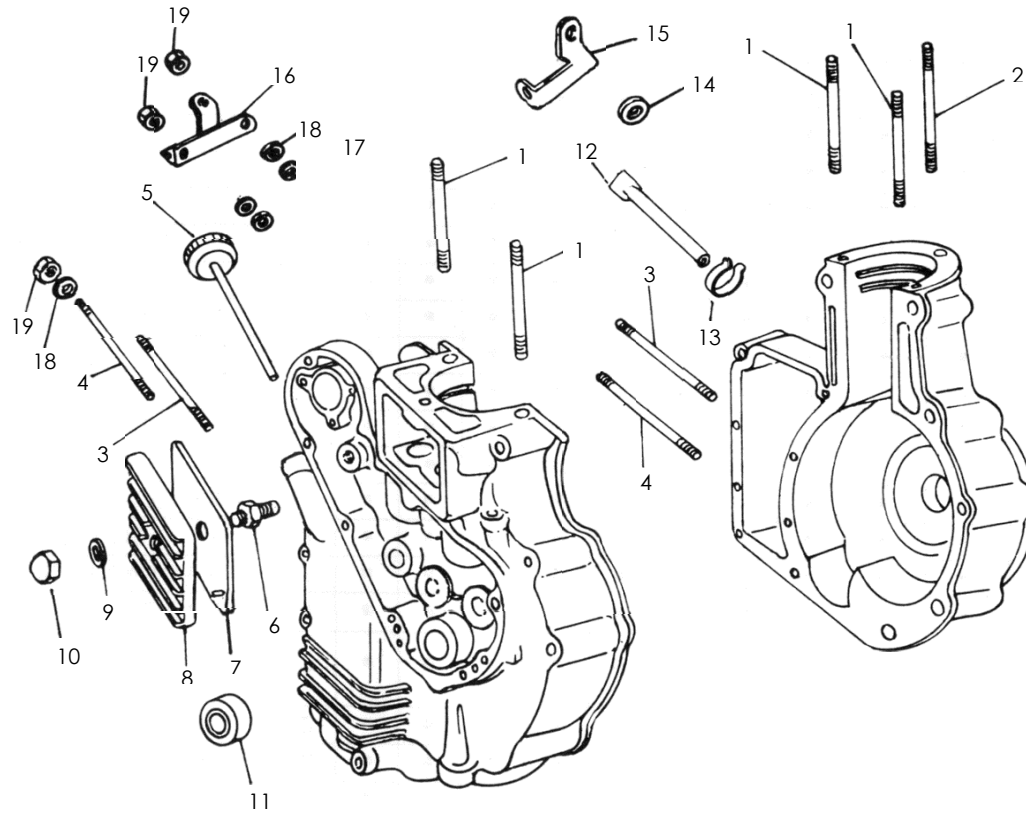


# 02 - 20 CRANK CASE FITTING



## 02 - 20 CRANK CASE FITTINGS

| Key No | Part Numbers       |          | Description                         | Qty | Models             |     |                    |     |                    |     |         |         |            |  | Remarks                      | price |
|--------|--------------------|----------|-------------------------------------|-----|--------------------|-----|--------------------|-----|--------------------|-----|---------|---------|------------|--|------------------------------|-------|
|        |                    |          |                                     |     | 350cc              |     |                    |     | 500cc              |     |         |         |            |  |                              |       |
|        | K.Start<br>4 Speed |          |                                     |     | E.Start<br>4 Speed |     | K.Start<br>4 Speed |     | E.Start<br>4 Speed |     | 5 Speed |         | Sixty<br>5 |  |                              |       |
|        | R/G                | L/G      |                                     |     | R/G                | L/G | R/G                | L/G | R/G                | L/G | K.start | E.start | E.start    |  |                              |       |
| New    | Old                |          |                                     |     |                    |     |                    |     |                    |     |         |         |            |  |                              |       |
| 1      | 140125             |          | Stud, Cylinder head (Inches)        | 4   |                    |     |                    |     |                    |     |         |         |            |  | Till 2E5 1568G, 2BS5 12942G  | 860   |
|        | 145105/A           |          | Stud, Cylinder head M8×146 (Metric) | 4   |                    |     |                    |     |                    |     |         |         |            |  | From 2BS 512943 G            | 790   |
| 2      | 141788             |          | Stud, Cylinder head (Inches)        | 1   |                    |     |                    |     |                    |     |         |         |            |  | Till 2E5 1568G, 2BS5 12942G  | 790   |
|        | 145108/A           |          | Stud, Cylinder head (Metric)        | 1   |                    |     |                    |     |                    |     |         |         |            |  | From 2BS 512943 G            | 790   |
| 3      | 110202             |          | Stud, Gear box fixing top           | 2   |                    |     |                    |     |                    |     |         |         |            |  |                              | 570   |
|        | 113069             |          | Stud, Gear box fixing top           | 2   |                    |     |                    |     |                    |     |         |         |            |  |                              | 810   |
|        | 145878/A           |          | Stud, Gear box fixing top           | 2   |                    |     |                    |     |                    |     |         |         |            |  | From 3BFS5 0225C, 3B5 13710C | 1,400 |
| 4      | 140291             |          | Stud, Gear box fixing bottom        | 2   |                    |     |                    |     |                    |     |         |         |            |  |                              | 540   |
|        | 145879             |          | Stud, Gear box fixing bottom        | 2   |                    |     |                    |     |                    |     |         |         |            |  |                              | 1,100 |
| 5      | 140124             |          | Oil Filler cap                      | 1   |                    |     |                    |     |                    |     |         |         |            |  |                              | 1,820 |
| 6      | 144391             |          | Stud, Tappet Cover (Inches)         | 1   |                    |     |                    |     |                    |     |         |         |            |  | Till 3BS 512854 A            | 450   |
|        | 145119/A           |          | Stud, Tappet Cover (Metric)         | 1   |                    |     |                    |     |                    |     |         |         |            |  | From 2BS 512943 G            | 580   |
| 7      | 144619             |          | Gasket, Tappet cover                | 1   |                    |     |                    |     |                    |     |         |         |            |  | From 8B 536480 K             | 630   |
| 8      | 141666             |          | Tappet cover                        | 1   |                    |     |                    |     |                    |     |         |         |            |  |                              | 2,200 |
| 9      | 144600             | 140155/1 | Washer, Copper                      | 1   |                    |     |                    |     |                    |     |         |         |            |  | From 8B 536480 K             | 230   |
| 10     | 145233             | 144392   | Dome Nut, M8 (Metric)               | 1   |                    |     |                    |     |                    |     |         |         |            |  |                              | 480   |
| 11     | 141545             |          | Oil Seal , Timing side              | 1   |                    |     |                    |     |                    |     |         |         |            |  | From OB 578648 M             | 660   |
| 12     | 140167             |          | Breather pipe with duck bill        | 1   |                    |     |                    |     |                    |     |         |         |            |  |                              | 810   |
|        | 143485             |          | Breather pipe                       | 1   |                    |     |                    |     |                    |     |         |         |            |  | For use with Breather Box    | 1,470 |
| 13     | 140573             |          | Clip, Breather Pipe                 | 2   |                    |     |                    |     |                    |     |         |         |            |  |                              | 230   |
| 14     | 143843             |          | Grommet, Breather Pipe              | 1   |                    |     |                    |     |                    |     |         |         |            |  | From 9B 58861 F              | 230   |
| 15     | 144012             |          | Clamp, Breather Pipe                | 1   |                    |     |                    |     |                    |     |         |         |            |  |                              | 660   |
| 16     | 801027             |          | Bracket, Rear Mudguard              | 1   |                    |     |                    |     |                    |     |         |         |            |  |                              | 1,770 |
|        | 550145             |          | Bracket, Rear Mudguard              | 1   |                    |     |                    |     |                    |     |         |         |            |  |                              | 1,790 |
| 17     | 140027             |          | Washer, Fiber                       | 2   |                    |     |                    |     |                    |     |         |         |            |  |                              | 90    |
| 18     | 140293             |          | Washer, Plain                       | 4   |                    |     |                    |     |                    |     |         |         |            |  |                              | 50    |
|        | 141098             |          | Washer                              | 4   |                    |     |                    |     |                    |     |         |         |            |  |                              | 180   |

